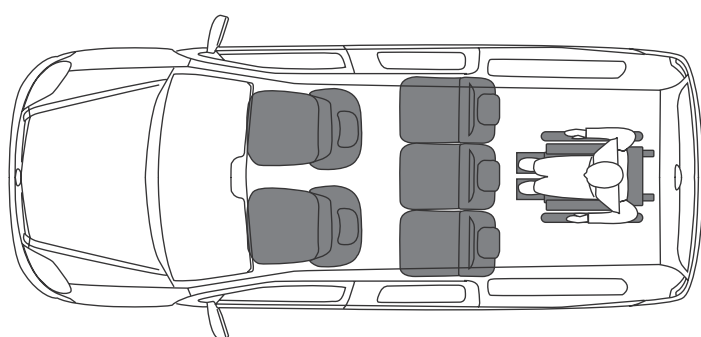


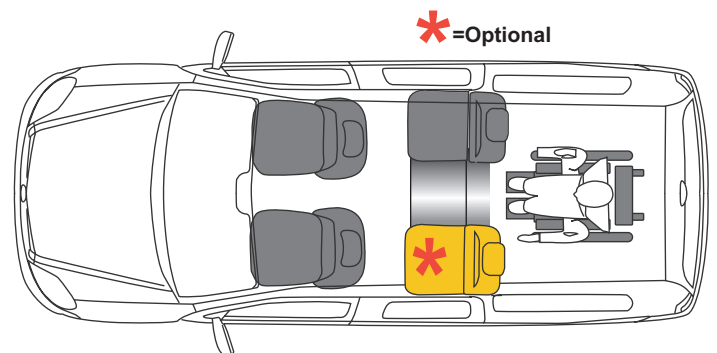
Hyundai STARIA

Creating Independence

Wheelchair Friendly Vehicle



or



1800 BRAZIER

(1800 272 9437)

8 Barfield Crescent, Edinburgh North S.A. 5113

sales@braziermobility.com.au

www.braziermobility.com.au

Brazier[®]
Mobility
Creating Independence

ndis Official
Provider

Hyundai STARIA Specifications

Standard Engine / Transmission	3.5Ltr V6, 24 Valve MPI, Petrol, 8-Speed Automatic with Enhanced shift logic technology	
Engine Power / Torque	200 kW / 331 Nm @ 6,400rpm / 5,000rpm	
Fuel Consumption L/100 km	10.0 Litres/100km (Combined)	
Seating (incl. driver)	Standard	Optional
3+ Wheelchair	●	
4+ Wheelchair (LuggageMaster)		●
5+ Wheelchair (OEM 2nd Row BenchSeat retained)	●	
"Dedicated" Wheelchair position		
Wheelchair loading & Restraint system		
Electric front restraint System	●	
Rear restraints attached from a standing position	●	
Lap/sash belt for wheelchair passenger	●	
Low angle "Torque-Coil"® finger-tip light weight Ramp (350kg SWL)	●	
Brazier "Clear-floor" system for relaxed loading	●	
Power Loading/Winch Assist – for heavy manual Wheelchairs		●
Ramp incline (approx.)	24°	
Safety & functionality		
4 wheel disc brakes	●	
ABS brakes with EBD and BAS	●	
Electronic Stability Program (ESP)	●	
Wheels & Tyres	235 / 55 R18	
Alloy wheels – STARIA, ELITE & HIGHLANDER	18"	
Turning circle (wall to wall)	12 mtr	
Full size spare wheel	●	
OEM Fuel Tank – Capacity	75 Litres	
Stainless Steel Exhaust system	●	
Driver & Passenger front air bags	●	
Curtain Air Bags	●	
Driver Fatigue Detection & Multi collision Braking System	●	
ISOFIX / Child Restraint Anchor points 2nd Row	●	
Comfort & convenience		
Sliding doors with fixed windows (both sides), Power S/Doors (Elite/Highlander)	●	
Pop-out Latch Windows 2nd Row	●	
Power front windows	●	
Power, Folding, Heated Exterior Mirrors	●	
Roof Rails	●	
8" Colour touch Screen with App-Connect	●	
Cruise control	●	
Height adjustable front seats & steering column	●	
Remote keyless entry / Keyless Start (Std Elite & Highlander)	●	
Ducted air conditioning vents to rear	●	
12V rear power outlets	●	
Lift up rear Tailgate (Power latching – Std ELITE & HIGHLANDER)	●	
Light & sight package	●	
Leather multi-function steering wheel	●	
Colour-coded bumpers and mirrors	●	
Park Distance Warning (PDW)	●	
Rear View Camera (Surround View Monitor - view STD ELITE & HIGHLANDER)	●	
Metallic / Pearlescent paint		●



Dimensions (mm)

Overall length	5253
Overall width – (Mirror to Mirror)	1997
Overall height	2070
Maximum internal headroom	1530
Usable wheelchair floor length	1440
Width of lowered floor section	810
Rear entry door height	1560
Ramp length	1480

Specifications were correct at time of publication, but are subject to change without notice.

Hyundai STARIA features:

- Long, 810mm wide flat floor
- Full size Alloy Spare Wheel
- 75 litre OEM fuel tank (91/E10 ULP)
- Light Weight Aluminium Ramp (SWL 350kg)
- Power loading option
- 5 year/unlimited Kms conversion warranty*
- Wide, comfortable rear passenger seats
- Automatic transmission
- OEM Factory Suspension

* Electric Restraints excluded (12months only)

Brazier[®]
Mobility
 Creating Independence